



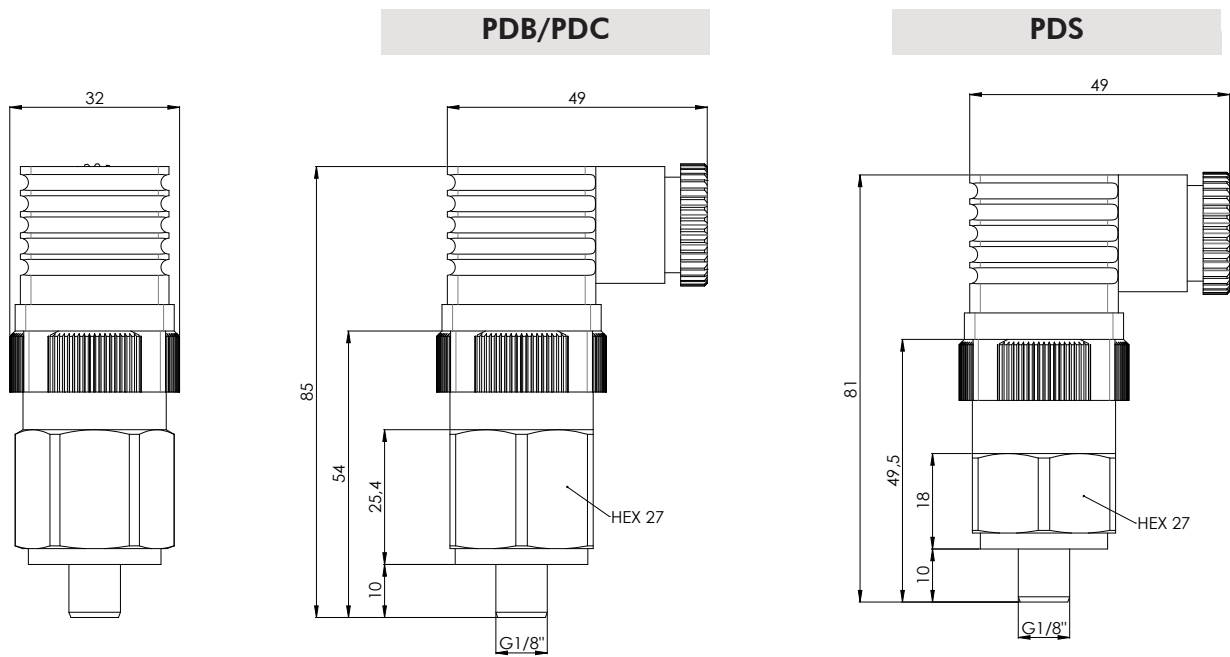
## P SERIES

Clogging indicators for suction line and return line



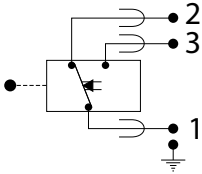
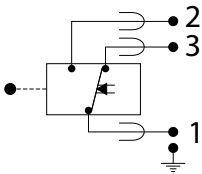
PRESSURE:	Max operating up to 25 bar
CONNECTION:	G1/8"
MATERIALS:	Body: Brass Cover and connector: PA66 + G.F. Internal seals: HNBR
SETTINGS:	<b>For suction application:</b> PDS -0,2 bar±10%  <b>For return line application:</b> PDB 1,3 bar±10% PDC 2,0 bar±10%
ELECTRICAL SPECS.:	Contact configuration SPDT
CONNECTOR TYPE:	according to DIN 43650 with cable gland PG09/PG11
DEGREE OF PROTECTION:	IP65 according to EN60529
OPERATING TEMPERATURE:	-30°C - +100°C
FLUID COMPATIBILITY:	Full with HH-HL-HM-HV-HETG-HEES-HFA HFB-HFC (acc. to ISO 6743/4). For use with other fluid please contact Filtrtec Customer Service (info@filtrtec.it).

## OVERALL DIMENSIONS



Weight: ~124 g

## MECHANICAL CONDITION



ΔP CONDITION	ELECTRIC SYMBOL
$P < P_{set}$	
$P \geq P_{set}$	

## ORDERING INFORMATION / DETAILS

### INDICATOR FOR APPLICATION ON SUCTION LINE

ORDER CODE	MODEL	SEALS	VIEW	SETTING	ELECTRICAL SPECS.
04.006.00141	<b>PDS</b>	<b>HNBR</b>		-0,2 bar	<ul style="list-style-type: none"> <li>• Connector DIN 43650</li> <li>• Max AC voltage: 250Vac</li> <li>• Max current: 3A resistive, 2A inductive</li> <li>• Max DC voltage: 30Vdc</li> <li>• Max current: 4A resistive, 3A inductive</li> <li>• Protection: IP65 EN60529</li> </ul>
 10 Nm - See hydraulic filter catalogues					

### INDICATOR FOR APPLICATION ON RETURN LINE

ORDER CODE	MODEL	SEALS	VIEW	SETTING	ELECTRICAL SPECS.
04.006.00108	<b>PDB</b>	<b>HNBR</b>		1,3 bar	<ul style="list-style-type: none"> <li>• Connector DIN 43650</li> <li>• Max AC voltage: 250Vac</li> <li>• Max current: 3A resistive, 2A inductive</li> <li>• Max DC voltage: 30Vdc</li> <li>• Max current: 4A resistive, 3A inductive</li> <li>• Protection: IP65 EN60529</li> </ul>
04.006.00118	<b>PDC</b>	<b>HNBR</b>		2 bar	
 10 Nm - See hydraulic filter catalogues					

## OPTIONAL VERSION

The LC24 connector, supplied separately, can replace the standard black connector of the "P" indicator. Powered with 24Vdc, it gives a visual indication of the filter element conditions: normally the GREEN LED is on, the RED LED switch on when the element is clogged.

ORDER CODE	MODEL	VIEW	ELECTRICAL SPECS.
04.006.00146	LC24		

## INSTRUCTIONS FOR REPLACING THE std CONNECTOR WITH THE LC24 CONNECTOR

1. UNSCREW THE SCREW



2. DISCONNECT THE STANDARD CONNECTOR



3. ATTACH THE LC24 CONNECTOR



4. TIGHTEN THE SCREW





## VERSION WITH INTEGRATED LED CONNECTOR



**Subject to MOQ** our differential indicators type P... can be supplied in special versions with **INTEGRATED LC24 connector**.

## ORDERING INFORMATION / DETAILS

### INDICATOR FOR APPLICATION ON SUCTION LINE

ORDER CODE	MODEL	SEALS	VIEW	SETTING	ELECTRICAL SPECS.
04.006.00540	<b>PDSL</b>	<b>HNBR</b>		-0,2 bar	<ul style="list-style-type: none"> <li>• Connector DIN 43650</li> <li>• Max DC voltage: 30Vdc</li> <li>• Max current: 4A resistive 3A inductive</li> <li>• Protection: IP65 EN60529</li> </ul>
 10 Nm - See hydraulic filter catalogues					

### INDICATOR FOR APPLICATION ON RETUR LINE

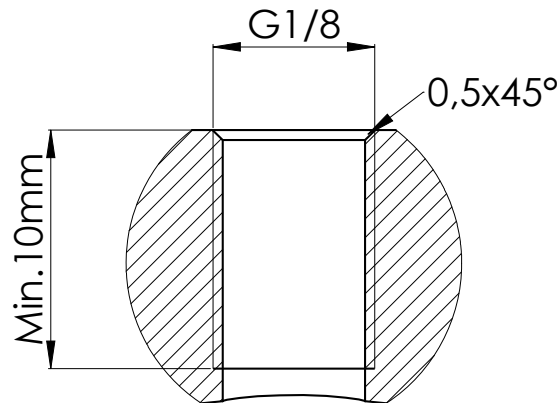
ORDER CODE	MODEL	SEALS	VIEW	SETTING	ELECTRICAL SPECS.
04.006.00541	<b>PDBL</b>	<b>HNBR</b>		1,3 bar	<ul style="list-style-type: none"> <li>• Connector DIN 43650</li> <li>• Max DC voltage: 30Vdc</li> <li>• Max current: 4A resistive 3A inductive</li> <li>• Protection: IP65 EN60529</li> </ul>
04.006.00542	<b>PDCL</b>	<b>HNBR</b>		2 bar	
 10 Nm - See hydraulic filter catalogues					

## INDICATOR SEAT

---

P..

---



---

Dimensions and tolerances available on request

---

## USER INFORMATION

---

**WARNING:** in **cold start** conditions a false alarm can be caused by higher oil viscosity due to low temperature; the indicator alarm must be considered at normal working temperature only.

### OPTIONAL VERSION

Subject to MOQ our differential indicators type P... can be supplied in special versions like ATEX or with different connectors.

Contact our Customer Service for further information.

## APPLICATION

The following table shows the type of indicator available according to the filter used.

APPLICATION	FILTER CODE	INDICATOR MODEL			
		PDS	PDB/PDC	PSDL	PDBL/PDCL
RETURN	<b>FR6</b>		X		X
	<b>FRM</b>		X		X
	<b>FRP</b>		X		X
	<b>FRT</b>		X		X
	<b>FA1</b>		X		X
	<b>FA2</b>		X		X
	<b>FCR7F1X</b>		X		X
	<b>FCR7F2X</b>		X		X
	<b>FCR7F3X</b>		X		
	<b>FAH</b>		X		X
	<b>FA5</b>		X		X
SUCTION	<b>FS1</b>	X		X	
	<b>FS7</b>	X		X	
	<b>FS5</b>	X		X	
	<b>FA1</b>	X		X	

