



## PW SERIES

Clogging indicators for suction line and return line with cable and connector



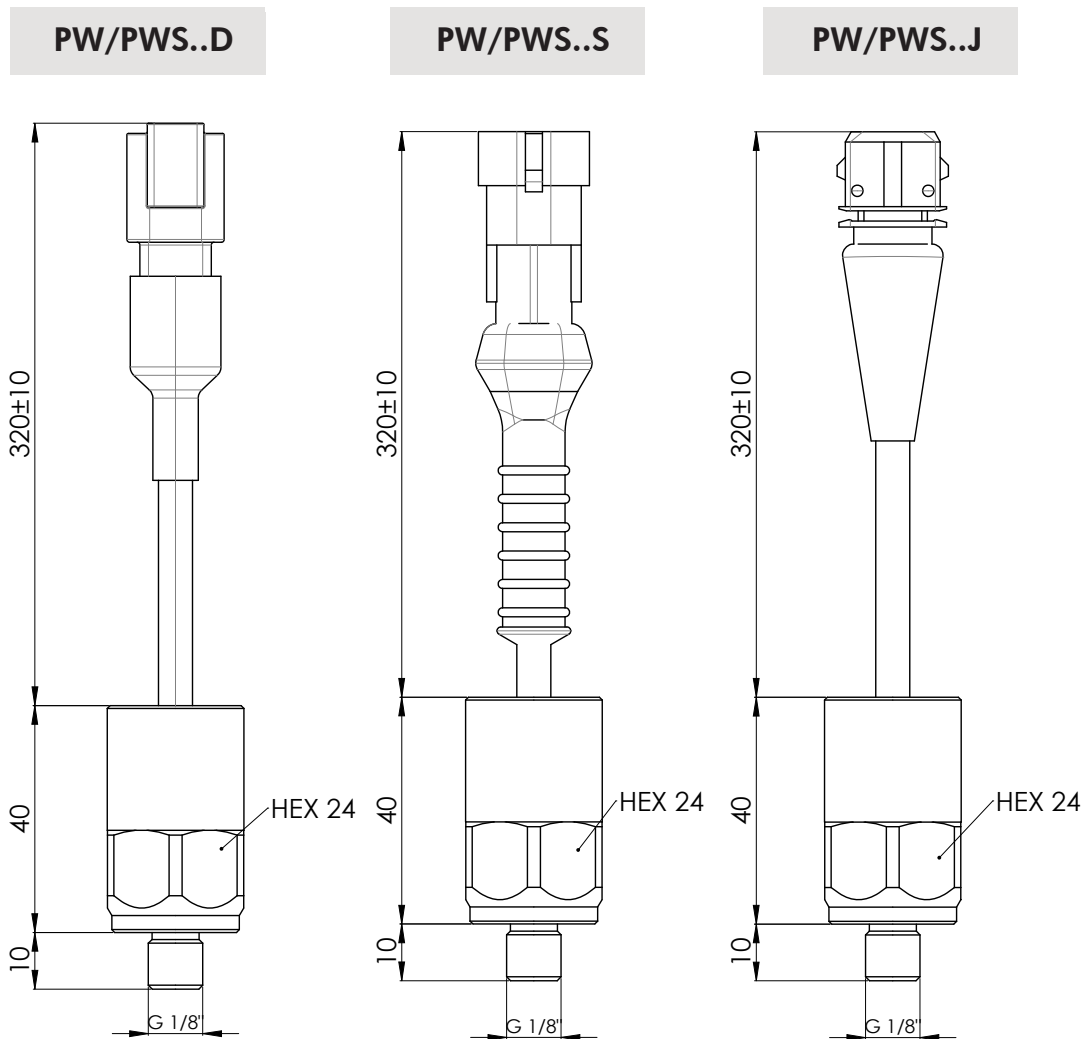
PW  
PWS..J

PW  
PWS..D

PW  
PWS..S

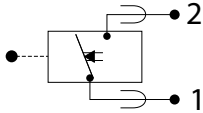
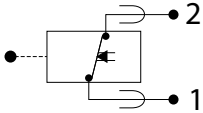
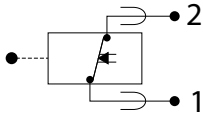
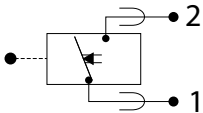
PRESSURE:	Max operating up to 25 bar
CONNECTION:	G 1/8"
MATERIALS:	Body: Brass Cover and connector: PA66 + G.F. Seal: HNBR standard
SETTINGS $\Delta P$ :	<b>For suction application:</b>  PWSxx -0,2 $\pm$ 10% bar  <b>For return line application:</b>  PWBxx 1,3 $\pm$ 10% bar PWCxx 2,0 $\pm$ 10% bar
ELECTRICAL SPECS.:	Contact configuration N.O./N.C.
CONNECTOR TYPE:	Deutsch DT04-2P SUPERSEAL 1.5 2 WAY JUNIOR POWER TIMER 2 WAY
DEGREE OF PROTECTION:	IP67 according to EN60529
OPERATING TEMPERATURE:	-30°C - +100°C
FLUID COMPATIBILITY:	Full with HH-HL-HM-HV-HETG-HEES-HFA HFB-HFC (acc. to ISO 6743/4). For use with other fluid please contact Filtrec Customer Service (info@filtrec.it).

## OVERALL DIMENSIONS






Weight: ~210g

## MECHANICAL CONDITION

$\Delta P$ CONDITION	ELECTRIC SYMBOL N.O.	ELECTRIC SYMBOL N.C.
$P < P_{set}$		
$P \geq P_{set}$		

**ORDERING INFORMATION / DETAILS**
**INDICATOR FOR APPLICATION ON SUCTION LINE**


ORDER CODE	MODEL	SEALS	VIEW	SETTING	ELECTRICAL SPECS.
04.006.00552	PWSCD		<div style="text-align: center;"> <b>Deutsch DT04-2P</b>   </div>	-0,2 bar	<ul style="list-style-type: none"> <li>• Connector N.C.</li> <li>• Max switching voltage: 48VDC</li> <li>• Max current: 0,5A resistive 0,2A inductive</li> <li>• Protection: IP67 EN60529</li> </ul>
		HNBR			
04.006.00553	PWSAD				<ul style="list-style-type: none"> <li>• Connector N.O.</li> <li>• Max switching voltage: 48VDC</li> <li>• Max current: 0,5A resistive 0,2A inductive</li> <li>• Protection: IP67 EN60529</li> </ul>
ORDER CODE	MODEL	CONN	VIEW	SETTING	ELECTRICAL SPECS.
04.006.00554	PWSCS		<div style="text-align: center;"> <b>Superseal 1.5 2 Way</b>   </div>	-0,2 bar	<ul style="list-style-type: none"> <li>• Connector N.C.</li> <li>• Max switching voltage: 48VDC</li> <li>• Max current: 0,5A resistive 0,2A inductive</li> <li>• Protection: IP67 EN60529</li> </ul>
		HNBR			
04.006.00555	PCSAS				<ul style="list-style-type: none"> <li>• Connector N.O.</li> <li>• Max switching voltage: 48VDC</li> <li>• Max current: 0,5A resistive 0,2A inductive</li> <li>• Protection: IP67 EN60529</li> </ul>
ORDER CODE	MODEL	CONN	VIEW	SETTING	ELECTRICAL SPECS.
04.006.00556	PWSCJ		<div style="text-align: center;"> <b>Junior Timer 2 Way</b>   </div>	-0,2 bar	<ul style="list-style-type: none"> <li>• Connector N.C.</li> <li>• Max switching voltage: 48VDC</li> <li>• Max current: 0,5A resistive 0,2A inductive</li> <li>• Protection: IP67 EN60529</li> </ul>
		HNBR			
04.006.00557	PWSAJ				<ul style="list-style-type: none"> <li>• Connector N.O.</li> <li>• Max switching voltage: 48VDC</li> <li>• Max current: 0,5A resistive 0,2A inductive</li> <li>• Protection: IP67 EN60529</li> </ul>




10 Nm - See hydraulic filter catalogues

**ORDERING INFORMATION / DETAILS**
**INDICATOR FOR APPLICATION ON RETURN LINE**

ORDER CODE	MODEL	SEALS	VIEW	SETTING	ELECTRICAL SPECS.
04.006.00261	<b>PWBCD</b>	<b>HNBR</b>	<b>Deutsch DT04-2P</b> 	1,3	<ul style="list-style-type: none"> <li>• Connector N.C.</li> <li>• Max switching voltage: 48VDC</li> <li>• Max current: 0,5A resistive 0,2A inductive</li> <li>• Protection: IP67 EN60529</li> </ul>
04.006.00262	<b>PWCCD</b>			2,0	
04.006.00460	<b>PWBAD</b>			1,3	
04.006.00492	<b>PWCAD</b>			2,0	

ORDER CODE	MODEL	SEALS	VIEW	SETTING	ELECTRICAL SPECS.
04.006.00495	<b>PWBCS</b>	<b>HNBR</b>	<b>Superseal 1.5 2 Way</b> 	1,3	<ul style="list-style-type: none"> <li>• Connector N.C.</li> <li>• Max switching voltage: 48VDC</li> <li>• Max current: 0,5A resistive 0,2A inductive</li> <li>• Protection: IP67 EN60529</li> </ul>
04.006.00498	<b>PWCCS</b>			2,0	
04.006.00501	<b>PWBAS</b>			1,3	
04.006.00504	<b>PWCAS</b>			2,0	

ORDER CODE	MODEL	SEALS	VIEW	SETTING	ELECTRICAL SPECS.
04.006.00507	<b>PWBCJ</b>	<b>HNBR</b>	<b>Junior Timer 2 Way</b> 	1,3	<ul style="list-style-type: none"> <li>• Connector N.C.</li> <li>• Max switching voltage: 48VDC</li> <li>• Max current: 0,5A resistive 0,2A inductive</li> <li>• Protection: IP67 EN60529</li> </ul>
04.006.00510	<b>PWCCJ</b>			2,0	
04.006.00513	<b>PWBAJ</b>			1,3	
04.006.00516	<b>PWCAJ</b>			2,0	



10 Nm - See hydraulic filter catalogues

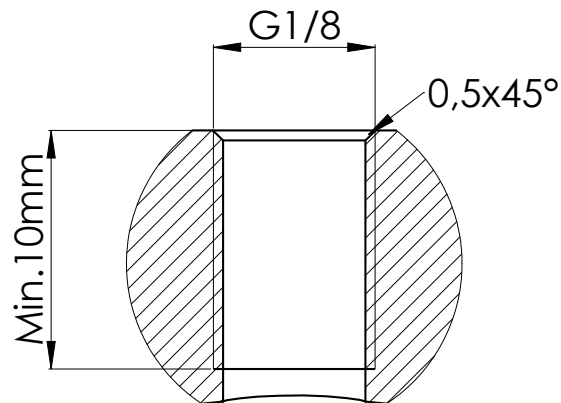
## INDICATOR SEAT

---

---

PW...

---



---

Dimensions and tolerances available on request

---

## USER INFORMATION

---

**WARNING:** in **cold start** conditions a false alarm can be caused by higher oil viscosity due to low temperature; the indicator alarm must be considered at normal working temperature only.

### OPTIONAL VERSION

Subject to MOQ our differential indicators type PW... can be supplied in special versions like ATEX or with different connectors.

Contact our Customer Service for further information.

## APPLICATION

The following table shows the type of indicator available according to the filter used.

APPLICATION	FILTER CODE	INDICATOR MODEL	
		PWS	PWB/PWC
RETURN	<b>FR6</b>		X
	<b>FRM</b>		X
	<b>FRP</b>		X
	<b>FRT</b>		X
	<b>FA1</b>		X
	<b>FA2</b>		X
	<b>FCR7F1X</b>		X
	<b>FCR7F2X</b>		X
	<b>FCR7F3X</b>		X
	<b>FAH</b>		X
	<b>FA5</b>		X
SUCTION	<b>FS1</b>	X	
	<b>FS7</b>	X	
	<b>FS5</b>	X	
	<b>FA1</b>	X	

