



PC SERIES

Clogging indicators for suction line and return line with integrated connector

PC/PCS..D



PC/PCS..S



PC/PCS..J



PRESSURE: Max operating up to 25 bar

CONNECTION: G1/8"

MATERIALS: Body: Brass
Cover and connector: PA66 + G.F.
Seal: HNBR standard

SETTINGS ΔP : **For suction application:**

PCSxx $-0,2 \pm 10\%$ bar

For return line application:

PCBxx $1,3 \pm 10\%$ bar

PCCxx $2,0 \pm 10\%$ bar

ELECTRICAL SPECS.: Contact configuration N.O./N.C.

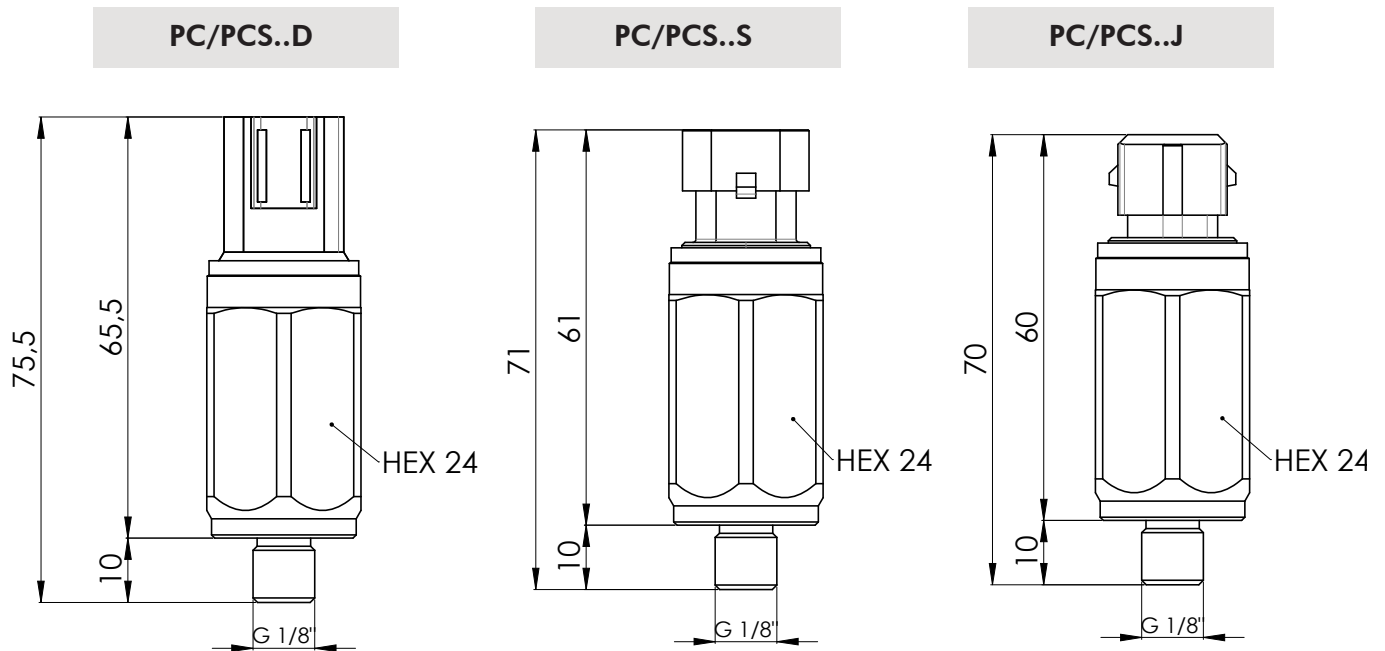
CONNECTOR TYPE: Deutsch DT04-2P
SUPERSEAL 1.5 2 WAY
JUNIOR POWER TIMER 2 WAY

DEGREE OF PROTECTION: IP67 according to EN60529

OPERATING TEMPERATURE: $-30^{\circ}\text{C} - +100^{\circ}\text{C}$

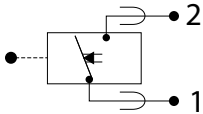
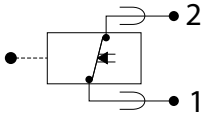
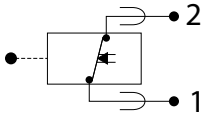
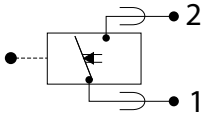
FLUID COMPATIBILITY: Full with HH-HL-HM-HV-HETG-HEES-HFA
HFB-HFC
(acc. to ISO 6743/4).
For use with other fluid please contact Filtrtec
Customer Service (info@filtrtec.it).

OVERALL DIMENSIONS






Weight: ~150g

MECHANICAL CONDITION

ΔP CONDITION	ELECTRIC SYMBOL N.O.	ELECTRIC SYMBOL N.C.
$P < P_{set}$		
$P \geq P_{set}$		

ORDERING INFORMATION / DETAILS
INDICATOR FOR APPLICATION ON SUCTION LINE

ORDER CODE	MODEL	SEALS	VIEW	SETTING	ELECTRICAL SPECS.
04.006.00406	PCSCD		<div style="text-align: center;"> Deutsch DT04-2P  </div>	-0,2 bar	<ul style="list-style-type: none"> • Connector N.C. • Max switching voltage: 48VDC • Max current: 5A resistive 2A inductive • Protection: IP67 EN60529
		HNBR			
04.006.00410	PCSAD				<ul style="list-style-type: none"> • Connector N.O. • Max switching voltage: 48VDC • Max current: 5A resistive 2A inductive • Protection: IP67 EN60529
ORDER CODE	MODEL	CONN	VIEW	SETTING	ELECTRICAL SPECS.
04.006.00414	PCSCS		<div style="text-align: center;"> Superseal 1.5 2 Way  </div>	-0,2 bar	<ul style="list-style-type: none"> • Connector N.C. • Max switching voltage: 48VDC • Max current: 5A resistive 2A inductive • Protection: IP67 EN60529
		HNBR			
04.006.00418	PCSAS				<ul style="list-style-type: none"> • Connector N.O. • Max switching voltage: 48VDC • Max current: 5A resistive 2A inductive • Protection: IP67 EN60529
ORDER CODE	MODEL	CONN	VIEW	SETTING	ELECTRICAL SPECS.
04.006.00422	PCSCJ		<div style="text-align: center;"> Junior Timer 2 Way  </div>	-0,2 bar	<ul style="list-style-type: none"> • Connector N.C. • Max switching voltage: 48VDC • Max current: 5A resistive 2A inductive • Protection: IP67 EN60529
		HNBR			
04.006.00426	PCSAJ				<ul style="list-style-type: none"> • Connector N.O. • Max switching voltage: 48VDC • Max current: 5A resistive 2A inductive • Protection: IP67 EN60529



10 Nm - See hydraulic filter catalogues

ORDERING INFORMATION / DETAILS
INDICATOR FOR APPLICATION ON RETURN LINE

ORDER CODE	MODEL	SEALS	VIEW	SETTING	ELECTRICAL SPECS.
04.006.00179	PCBCD	HNBR		1,3	<ul style="list-style-type: none"> • Connector N.C. • Max switching voltage: 48VDC • Max current: 5A resistive 2A inductive • Protection: IP67 EN60529
04.006.00181	PCCCD			2,0	
04.006.00180	PCBAD			1,3	
04.006.00182	PCCAD			2,0	

ORDER CODE	MODEL	SEALS	VIEW	SETTING	ELECTRICAL SPECS.
04.006.00436	PCBCS	HNBR		1,3	<ul style="list-style-type: none"> • Connector N.C. • Max switching voltage: 48VDC • Max current: 5A resistive 2A inductive • Protection: IP67 EN60529
04.006.00439	PCCCS			2,0	
04.006.00442	PCBAS			1,3	
04.006.00445	PCCAS			2,0	

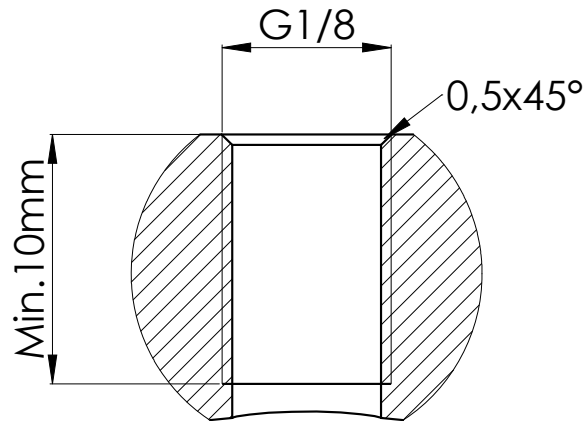
ORDER CODE	MODEL	SEALS	VIEW	SETTING	ELECTRICAL SPECS.
04.006.00448	PCBCJ	HNBR		1,3	<ul style="list-style-type: none"> • Connector N.C. • Max switching voltage: 48VDC • Max current: 5A resistive 2A inductive • Protection: IP67 EN60529
04.006.00451	PCCCJ			2,0	
04.006.00454	PCBAJ			1,3	
04.006.00457	PCCAJ			2,0	



10 Nm - See hydraulic filter catalogues

INDICATOR SEAT

PC...



Dimensions and tolerances available on request

USER INFORMATION

WARNING: in **cold start** conditions a false alarm can be caused by higher oil viscosity due to low temperature; the indicator alarm must be considered at normal working temperature only.

OPTIONAL VERSION

Subject to MOQ our differential indicators type PC... can be supplied in special versions like ATEX or with different connectors.

Contact our Customer Service for further information.

APPLICATION

The following table shows the type of indicator available according to the filter used.

APPLICATION	FILTER CODE	INDICATOR MODEL	
		PCS..	PCB../PCC..
RETURN	FR6		X
	FRM		X
	FRP		X
	FRT		X
	FA1		X
	FA2		X
	FCR7F1X		X
	FCR7F2X		X
	FCR7F3X		X
	FAH		X
	FA5		X
SUCTION	FS1	X	
	FS7	X	
	FS5	X	
	FA1	X	

