



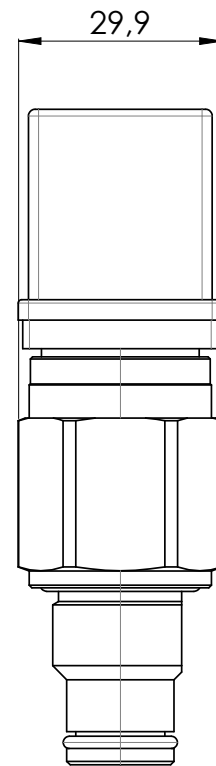
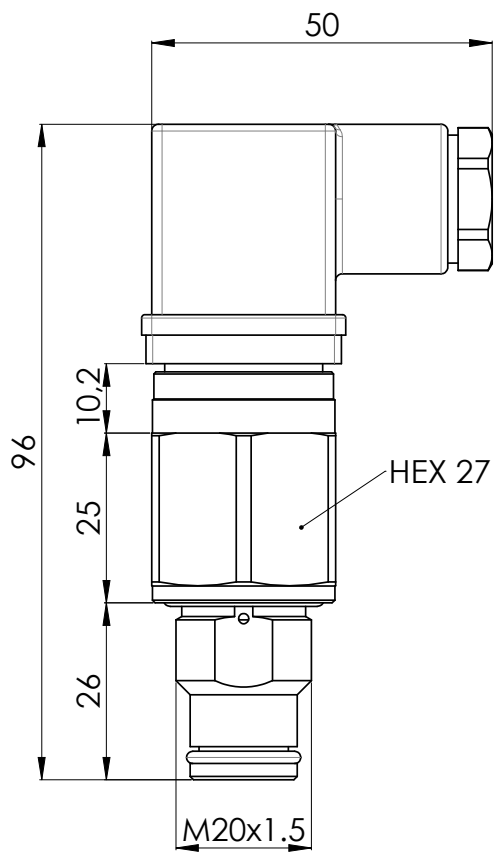
ET SERIES

Electrical differential clogging indicators with thermostatic switch set at 30°C



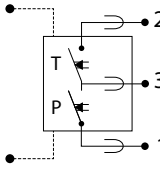
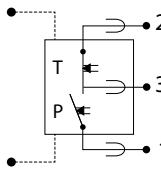
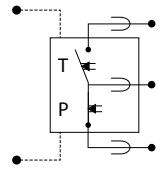
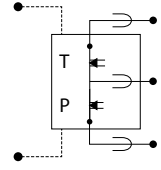
PRESSURE:	Max operating up to 420 bar
CONNECTION:	M20x1,5
MATERIALS:	Body: Brass Cover and connector: PA66 + G.F. Seal: NBR standard FKM on request
SETTINGS ΔP :	2,7 bar \pm 10% 5,0 bar \pm 10% 8,0 bar \pm 10%
ELECTRICAL SPECS.:	See electrical symbol
CONNECTOR TYPE:	according to DIN 43650 with cable gland PG09/PG11
DEGREE OF PROTECTION:	IP65 according to EN60529
OPERATING TEMPERATURE:	-30°C - +80°C
FLUID COMPATIBILITY:	Full with HH-HL-HM-HV-HETG-HEES-HFA HFB-HFC (acc. to ISO 6743/4). For use with other fluid please contact Filtrtec Customer Service (info@filtrtec.it).

OVERALL DIMENSIONS

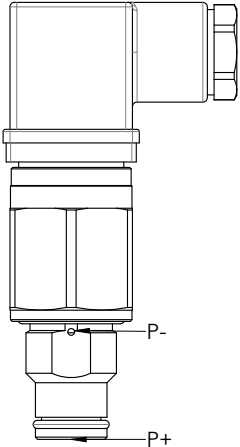



Weight: 180 gr

MECHANICAL CONDITION

ΔP CONDITION	ELECTRIC SYMBOL	
$P+ - P- < \Delta P_{set}$	 <p>$T < T_{set}$</p>	 <p>$T \geq T_{set}$</p>
$P+ - P- \geq \Delta P_{set}$	 <p>$T < T_{set}$</p>	 <p>$T \geq T_{set}$</p>

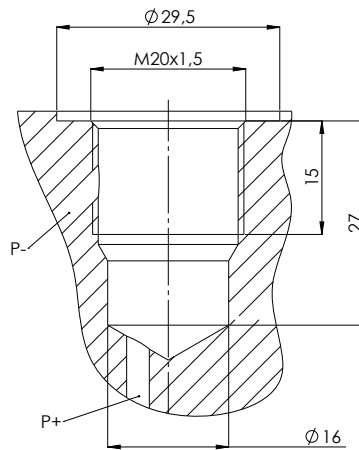
ORDERING INFORMATION / DETAILS

ORDER CODE	MODEL	SEALS	VIEW	SETTING	ELECTRICAL SPECS.
04.006.00547 04.006.00548	ET02 ETF2	NBR FKM		2,7 bar	<ul style="list-style-type: none"> • Connector DIN 43650 • Max AC and DC voltage: 24V • Max current: 5A resistive 1A inductive • Protection: IP65 EN60529
04.006.00117 04.006.00135	ET05 ETF5	NBR FKM		5,0 bar	
04.006.00549 04.006.00550	ET08 ETF8	NBR FKM		8,0 bar	

 50 / 90 Nm - See hydraulic filter catalogues

INDICATOR SEAT

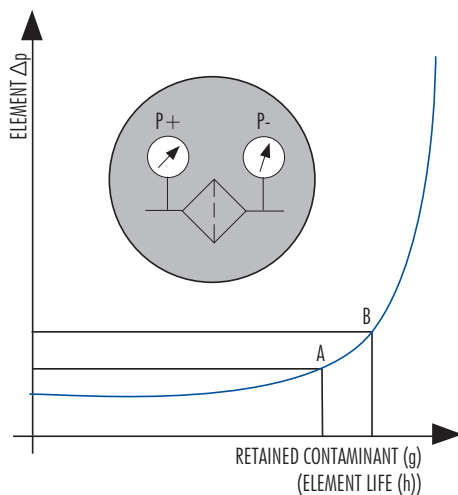
ET.../ETF...



Dimensions and tolerances available on request

USER INFORMATION

The Differential indicator measures the Δp between upstream and downstream of the filter element, i.e. it is the ideal indicator for the in line applications.



The **Pressure Drop** (Δp = differential pressure) through the filter increases during the system operation due to the contaminant retained by the filter element.

The filter element must be replaced when the indicator shows an alarm and before the Δp reaches the by-pass set value (i.e. the set value A of the clogging indicator must always be lower than the set value B of the by-pass value).

OPTIONAL VERSION

Subject to MOQ our differential indicators type ET... can be supplied in special versions like ATEX or with different connectors.

Contact our Customer Service for further information.

APPLICATION

The following table shows the type of indicator available according to the filter used.

APPLICATION	FILTER CODE	INDICATOR MODEL		
		ET02/ETF2	ET05/ETF5	ET08/ETF8
IN LINE HIGH PRESSURE	F100	X	X	X
	F280		X	X
	F420		X	X
	FH100	X	X	X
	FH250		X	X
	FH320		X	X
	FH420-D1		X	X
	FML320		X	X
IN LINE MEDIUM PRESSURE	F040	X	X	X
RETURN	FCR7F2x	X		
	FCR7F3x	X		
SPIN-ON	FAH-A14x	X		

