



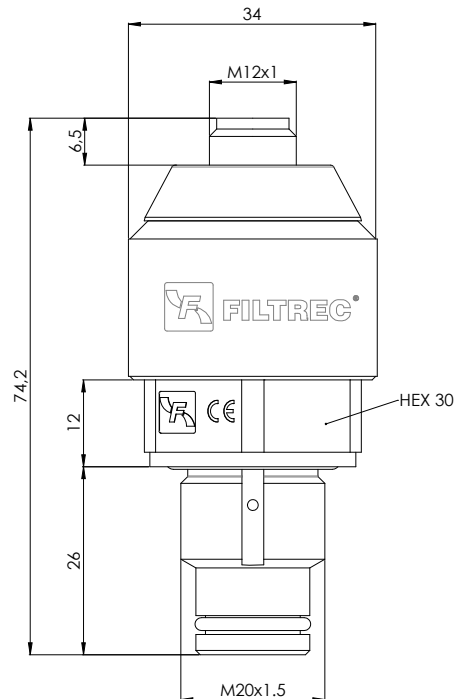
## ED SERIES

Visual electrical differential pressure indicators with differential pressure thresholds, with detection of cold starts and with the indication of the possible opening of the by-pass.



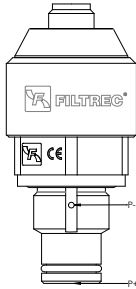
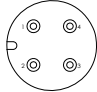
PRESSURE:	Max operating up to 420 bar
CONNECTION:	M20x1,5
MATERIALS:	Body: Brass Cover and connector: PA66 + G.F. Seal: FKM
SETTINGS $\Delta P$ :	2,7 bar $\pm$ 10% 5,0 bar $\pm$ 10% 8,0 bar $\pm$ 10%
ELECTRICAL SPECS.:	Contact configuration PNP - N.O.
CONNECTOR TYPE:	M12x1 - 4 PIN
DEGREE OF PROTECTION:	IP67 according to EN60529
OPERATING TEMPERATURE:	-30°C - +80°C
FLUID COMPATIBILITY:	Full with HH-HL-HM-HV-HETG-HEES-HFA HFB-HFC (acc. to ISO 6743/4). For use with other fluid please contact Filtrtec Customer Service ( <a href="mailto:info@filtrtec.it">info@filtrtec.it</a> ).


## OVERALL DIMENSIONS

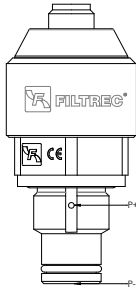
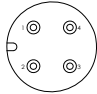



Weight: ~140g

## ORDERING INFORMATION / DETAILS

ORDER CODE	MODEL	VIEW	SETTING	VISUAL OUTPUT SPECS.
04.006.00543	<b>EDF2</b>		2,7 bar	 <ol style="list-style-type: none"> <li>24Vdc ± 10%</li> <li>Output 75% PNP - Max load 0,2 N.O.</li> <li>0V</li> <li>Output 100% PNP - Max load 0,2 N.O.</li> </ol>
04.006.00544	<b>EDF5</b>		5,0 bar	
04.006.00545	<b>EDF8</b>		8,0 bar	

 50 / 90 Nm - See hydraulic filter catalogues

ORDER CODE	MODEL	VIEW	SETTING	VISUAL OUTPUT SPECS.
04.006.00577	<b>EDXF2</b>		2,7 bar	 <ol style="list-style-type: none"> <li>24Vdc ± 10%</li> <li>Output 75% PNP - Max load 0,2 N.O.</li> <li>0V</li> <li>Output 100% PNP - Max load 0,2 N.O.</li> </ol>
04.006.00578	<b>EDXF5</b>		5,0 bar	
04.006.00579	<b>EDXF8</b>		8,0 bar	

 50 / 90 Nm - See hydraulic filter catalogues

**If T < Thermal lock-out (20°C)**

ΔP CONDITION	MODEL	RANGE	VISUAL	ELECTRICAL SYMBOL
Any ΔP within measuring range	<b>EDF2 EDXF2</b>	0 ÷ 2,7 bar		
	<b>EDF5 EDXF5</b>	0 ÷ 5,0 bar		
	<b>EDF8 EDXF8</b>	0 ÷ 8,0 bar		

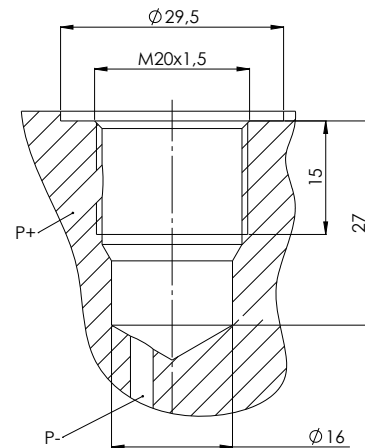
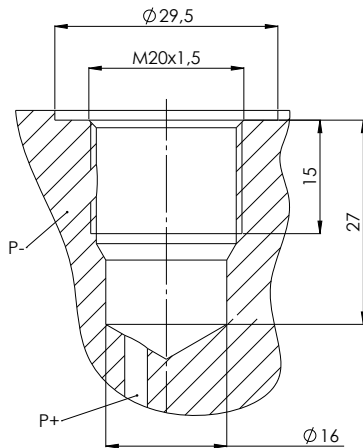
**If T > Thermal lock-out (20°C)**

ΔP CONDITION	MODEL	RANGE	VISUAL	ELECTRICAL SYMBOL
0 < ΔP < 50	<b>EDF2 EDXF2</b>	0 ÷ 1,3 bar		
	<b>EDF5 EDXF5</b>	0 ÷ 2,5 bar		
	<b>EDF8 EDXF8</b>	0 ÷ 4,0 bar		
50 ≤ ΔP < 75	<b>EDF2 EDXF2</b>	1,3 ÷ 2,0 bar		
	<b>EDF5 EDXF5</b>	2,5 ÷ 3,7 bar		
	<b>EDF8 EDXF8</b>	4,0 ÷ 6,0 bar		
75 ≤ ΔP < 100	<b>EDF2 EDXF2</b>	2,0 ÷ 2,7 bar		
	<b>EDF5 EDXF5</b>	3,7 ÷ 5,0 bar		
	<b>EDF8 EDXF8</b>	6,0 ÷ 8,0 bar		
ΔP ≥ 100	<b>EDF2 EDXF2</b>	≥ 2,7 bar	  <b>BLINKING</b>	
	<b>EDF5 EDXF5</b>	≥ 5,0 bar		
	<b>EDF8 EDXF8</b>	≥ 8,0 bar		

## INDICATOR SEAT

ED...

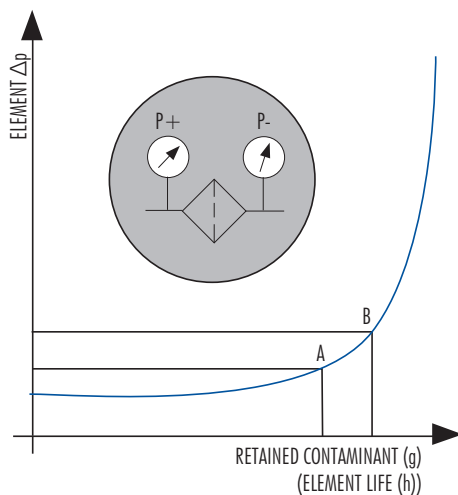
EDX...



Dimensions and tolerances available on request

## USER INFORMATION

The Differential indicator measures the  $\Delta p$  between upstream and downstream of the filter element, i.e. it is the ideal indicator for the in line applications.



The **Pressure Drop** ( $\Delta p$  = differential pressure) through the filter increases during the system operation due to the contaminant retained by the filter element.

The filter element must be replaced when the indicator shows an alarm and before the  $\Delta p$  reaches the by-pass set value (i.e. the set value A of the clogging indicator must always be lower than the set value B of the by-pass value).

## OPTIONAL VERSION

Subject to MOQ our differential indicators type ED... can be supplied in special versions like ATEX or with different connectors.

Contact our Customer Service for further information.

## APPLICATION

The following table shows the type of indicator available according to the filter used.

APPLICATION	FILTER CODE	INDICATOR MODEL					
		EDF2..	EDF5..	EDF8..	EDXF2..	EDXF5..	EDXF8..
IN LINE HIGH PRESSURE	<b>F100</b>	X	X	X			
	<b>F280</b>		X	X			
	<b>F420</b>		X	X			
	<b>FD3</b>					X	X
	<b>FDM</b>					X	X
	<b>FH100</b>	X	X	X			
	<b>FH250</b>		X	X			
	<b>FH320</b>		X	X			
	<b>FH420-D1</b>		X	X			
	<b>FML320</b>		X	X			
IN LINE MEDIUM PRESSURE	<b>FLR</b>				X	X	X
	<b>FLRD</b>				X	X	X
	<b>F040</b>	X	X	X			
RETURN	<b>FCR7F2x</b>	X					
	<b>FCR7F3x</b>	X					
SPIN-ON	<b>FAH-A14x</b>	X					
	<b>FA5</b>				X		
	<b>FA4</b>				X		

