



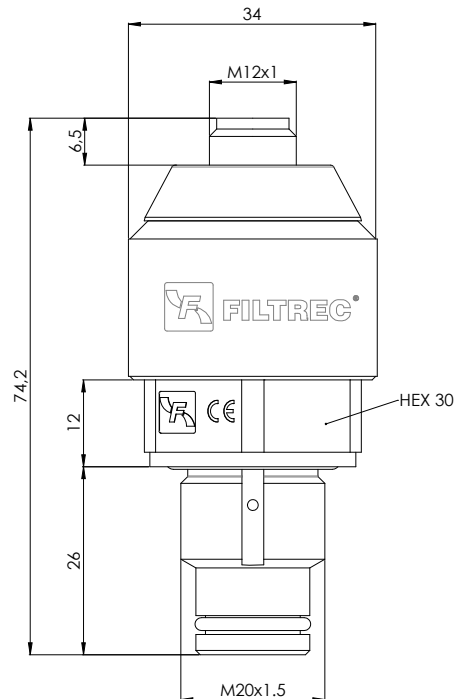
ED SERIES

Visual electrical differential pressure indicators with differential pressure thresholds, with detection of cold starts and with the indication of the possible opening of the by-pass.



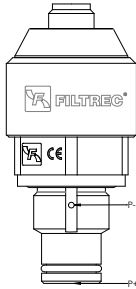
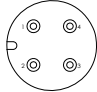
PRESSURE:	Max operating up to 420 bar
CONNECTION:	M20x1,5
MATERIALS:	Body: Brass Cover and connector: PA66 + G.F. Seal: FKM
SETTINGS ΔP :	2,7 bar \pm 10% 5,0 bar \pm 10% 8,0 bar \pm 10%
ELECTRICAL SPECS.:	Contact configuration PNP - N.O.
CONNECTOR TYPE:	M12x1 - 4 PIN
DEGREE OF PROTECTION:	IP67 according to EN60529
OPERATING TEMPERATURE:	-30°C - +80°C
FLUID COMPATIBILITY:	Full with HH-HL-HM-HV-HETG-HEES-HFA HFB-HFC (acc. to ISO 6743/4). For use with other fluid please contact Filtrac Customer Service (info@filtrac.it).


OVERALL DIMENSIONS

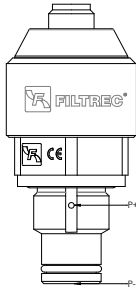
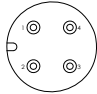



Weight: ~140g

ORDERING INFORMATION / DETAILS

ORDER CODE	MODEL	VIEW	SETTING	VISUAL OUTPUT SPECS.
04.006.00543	EDF2		2,7 bar	
04.006.00544	EDF5		5,0 bar	1. 24Vdc ± 10% 2. Output 75% PNP - Max load 0,2 N.O.
04.006.00545	EDF8		8,0 bar	3. 0V 4. Output 100% PNP - Max load 0,2 N.O.

 50 / 90 Nm - See hydraulic filter catalogues

ORDER CODE	MODEL	VIEW	SETTING	VISUAL OUTPUT SPECS.
04.006.00577	EDXF2		2,7 bar	
04.006.00578	EDXF5		5,0 bar	1. 24Vdc ± 10% 2. Output 75% PNP - Max load 0,2 N.O.
04.006.00579	EDXF8		8,0 bar	3. 0V 4. Output 100% PNP - Max load 0,2 N.O.

 50 / 90 Nm - See hydraulic filter catalogues

If T < Thermal lock-out (20°C)

ΔP CONDITION	MODEL	RANGE	VISUAL	ELECTRICAL SYMBOL
Any ΔP within measuring range	EDF2 EDXF2	0 ÷ 2,7 bar		
	EDF5 EDXF5	0 ÷ 5,0 bar		
	EDF8 EDXF8	0 ÷ 8,0 bar		

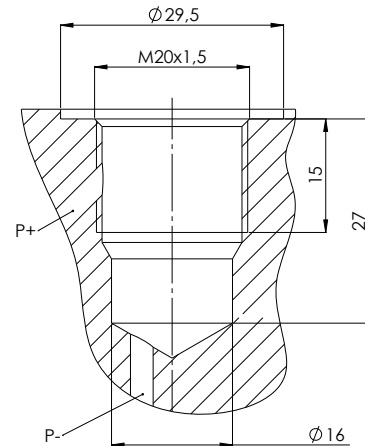
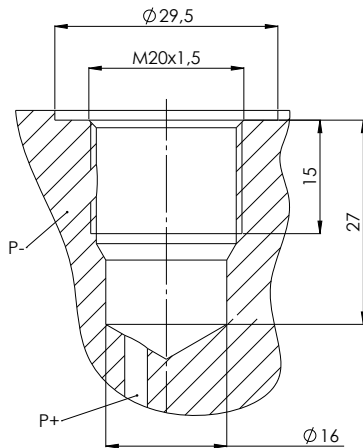
If T > Thermal lock-out (20°C)

ΔP CONDITION	MODEL	RANGE	VISUAL	ELECTRICAL SYMBOL
0 < ΔP < 50	EDF2 EDXF2	0 ÷ 1,3 bar		
	EDF5 EDXF5	0 ÷ 2,5 bar		
	EDF8 EDXF8	0 ÷ 4,0 bar		
50 ≤ ΔP < 75	EDF2 EDXF2	1,3 ÷ 2,0 bar		
	EDF5 EDXF5	2,5 ÷ 3,7 bar		
	EDF8 EDXF8	4,0 ÷ 6,0 bar		
75 ≤ ΔP < 100	EDF2 EDXF2	2,0 ÷ 2,7 bar		
	EDF5 EDXF5	3,7 ÷ 5,0 bar		
	EDF8 EDXF8	6,0 ÷ 8,0 bar		
ΔP ≥ 100	EDF2 EDXF2	≥ 2,7 bar	 BLINKING	
	EDF5 EDXF5	≥ 5,0 bar		
	EDF8 EDXF8	≥ 8,0 bar		

INDICATOR SEAT

ED...

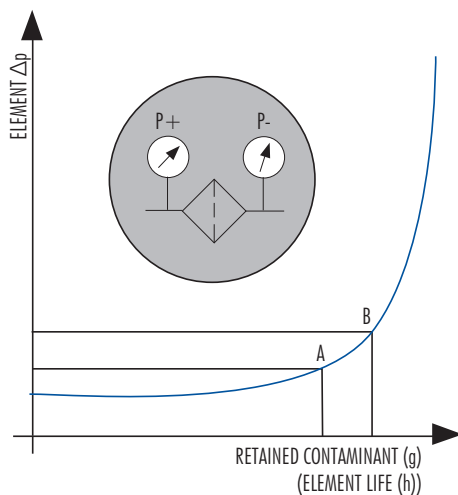
EDX...



Dimensions and tolerances available on request

USER INFORMATION

The Differential indicator measures the Δp between upstream and downstream of the filter element, i.e. it is the ideal indicator for the in line applications.



The **Pressure Drop** (Δp = differential pressure) through the filter increases during the system operation due to the contaminant retained by the filter element.

The filter element must be replaced when the indicator shows an alarm and before the Δp reaches the by-pass set value (i.e. the set value A of the clogging indicator must always be lower than the set value B of the by-pass value).

OPTIONAL VERSION

Subject to MOQ our differential indicators type ED... can be supplied in special versions with UL and CSA certification.

Contact our Customer Service for further information.

APPLICATION

The following table shows the type of indicator available according to the filter used.

APPLICATION	FILTER CODE	INDICATOR MODEL					
		EDF2..	EDF5..	EDF8..	EDXF2..	EDXF5..	EDXF8..
IN LINE HIGH PRESSURE	F100	X	X	X			
	F280		X	X			
	F420		X	X			
	FD3					X	X
	FDM					X	X
	FH100	X	X	X			
	FH250		X	X			
	FH320		X	X			
	FH420-D1		X	X			
	FML320		X	X			
IN LINE MEDIUM PRESSURE	FLR				X	X	X
	FLRD				X	X	X
	F040	X	X	X			
RETURN	FCR7F2x	X					
	FCR7F3x	X					
SPIN-ON	FAH-A14x	X					
	FA5				X		
	FA4				X		

